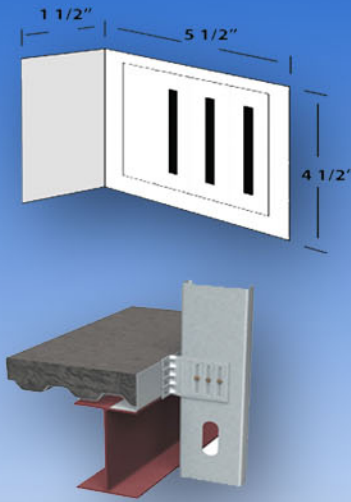
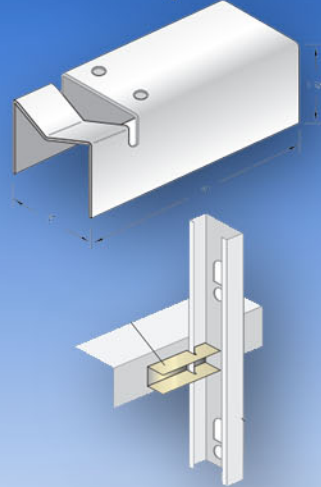


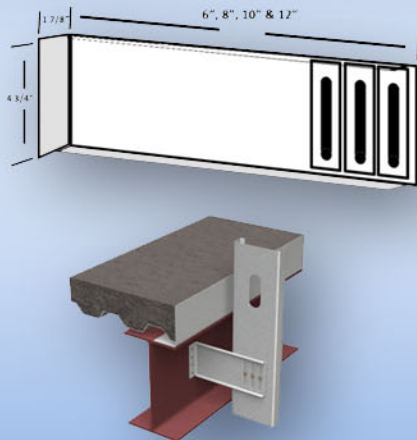
FASTCLIP SLIDE CLIP (FCSC)



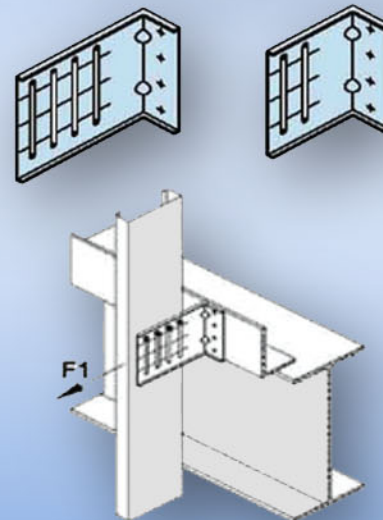
HORIZONTAL FLANGE ATTACHMENT CLIP (HFA CLIP)



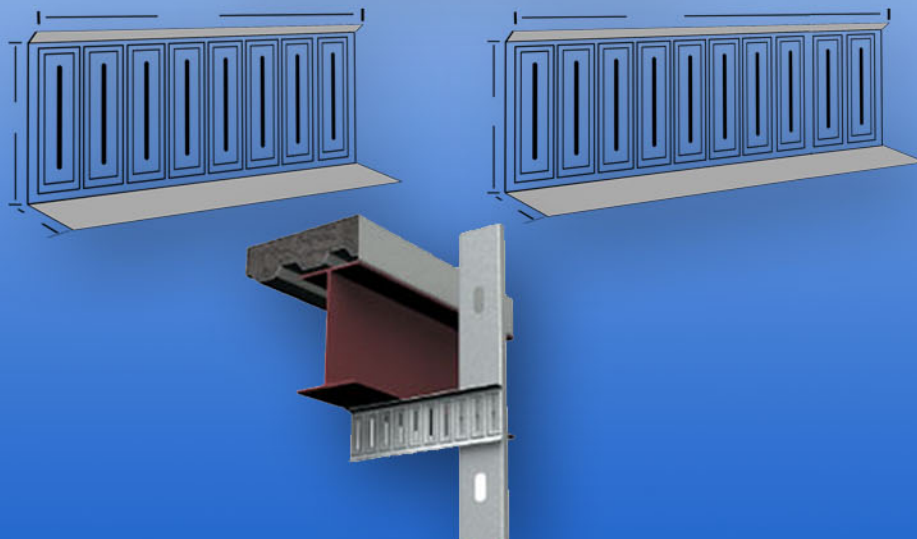
EXTENDED FAST CLIP (FCEC)



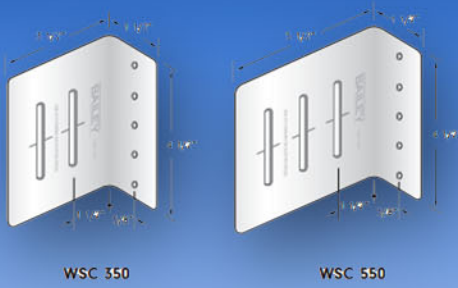
WSC SLIDE CLIP



FAST STRUT (F12, F15)

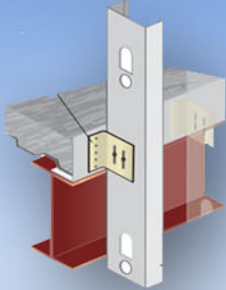


WEBSLIDE CLIP (WSC350, WSC550)

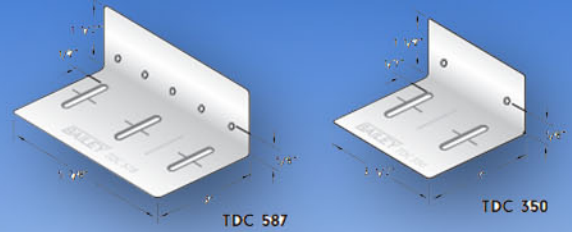


WSC 350

WSC 550



TOP DEFLECTION CLIP (TDC350, TDC587)



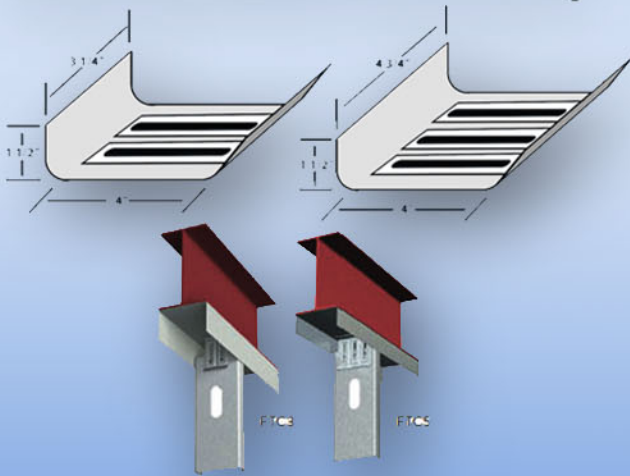
TDC 587

TDC 350



TDC 350

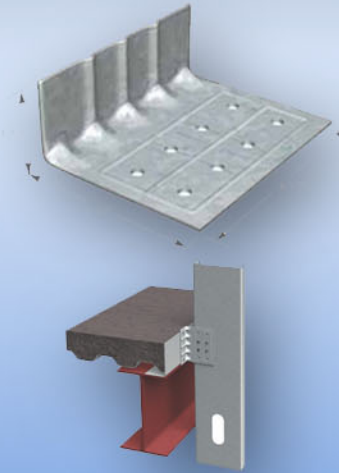
FAST TOP CLIP (FTC3, FTC5)



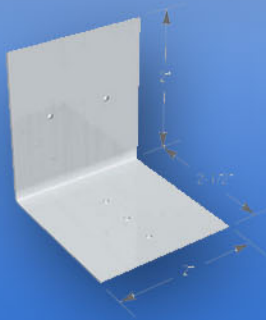
FTC3

FTC5

UNI-CLIP END CLIP (UCEC)



ALUMINUM BURN CLIP



UNIVERSAL BRIDGING CLIPS (UBC365, UBC600, UBC800)

